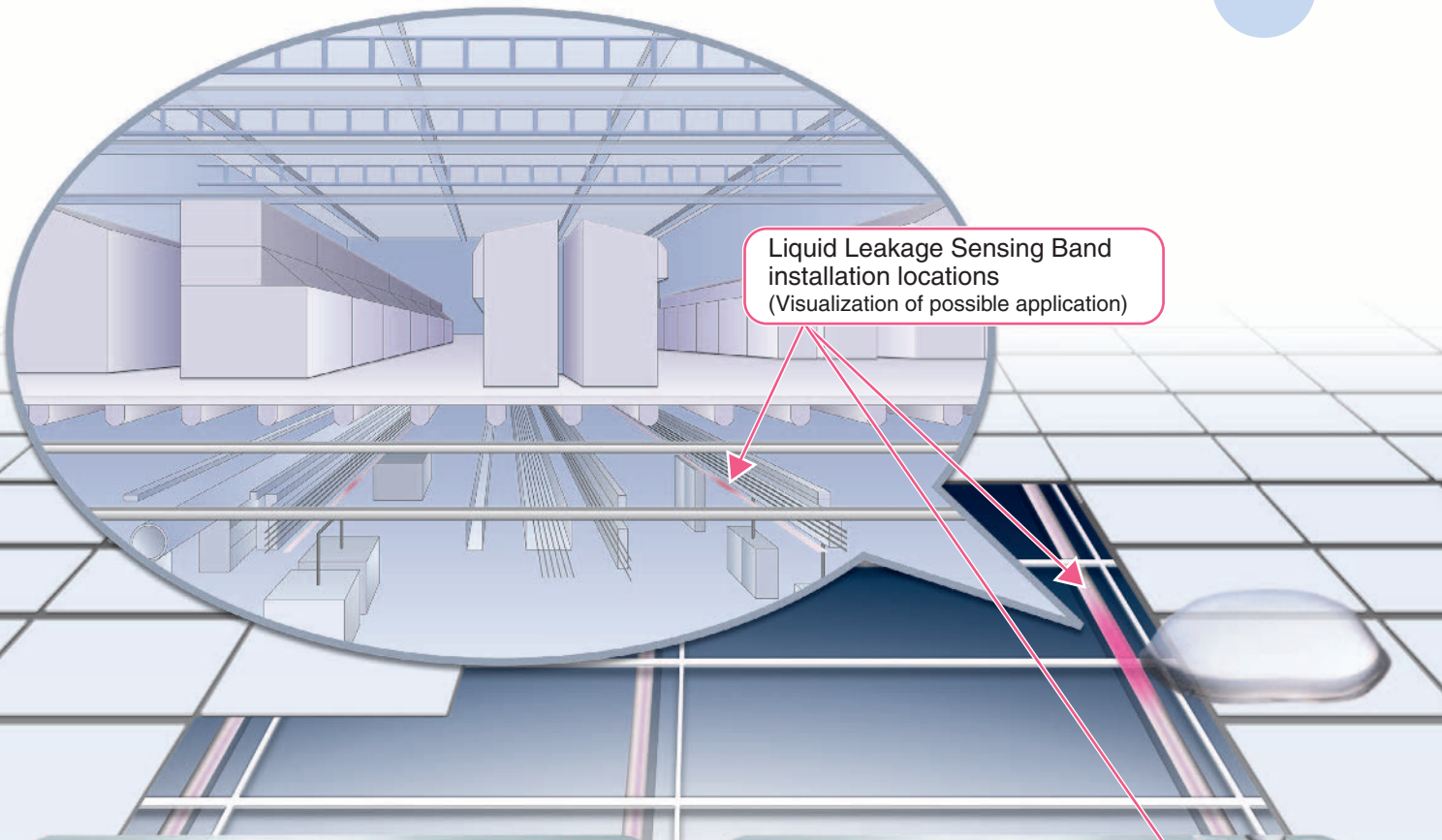


## Liquid Leakage Sensing Band **F03-16SF**



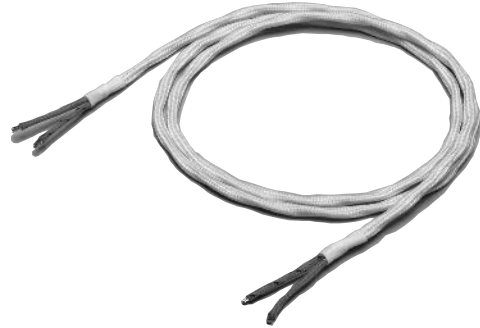
### Debut of New Liquid Leakage Sensing Band



# Liquid Leakage Sensing Band

## F03-16SF

- Greater flexibility and superior workability compared with the F03-16PE.
- The sheath becomes transparent to reveal the red inner sheath if liquid leakage occurs, thereby enabling visual confirmation. After drying, the Sensing Band color will return to white. (F03-16SFC only)

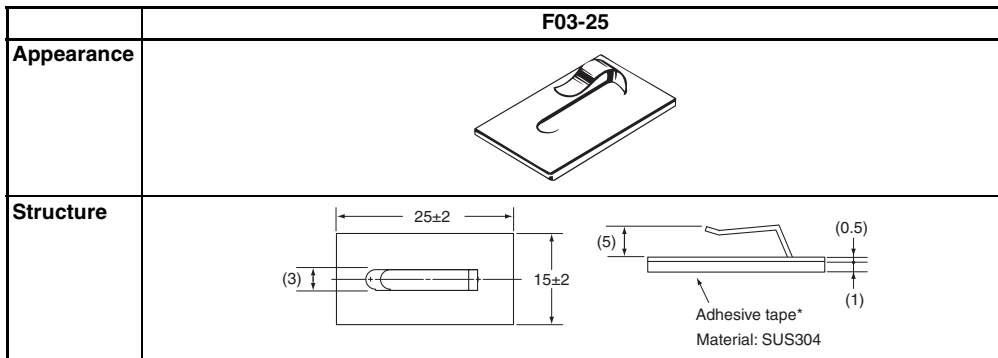
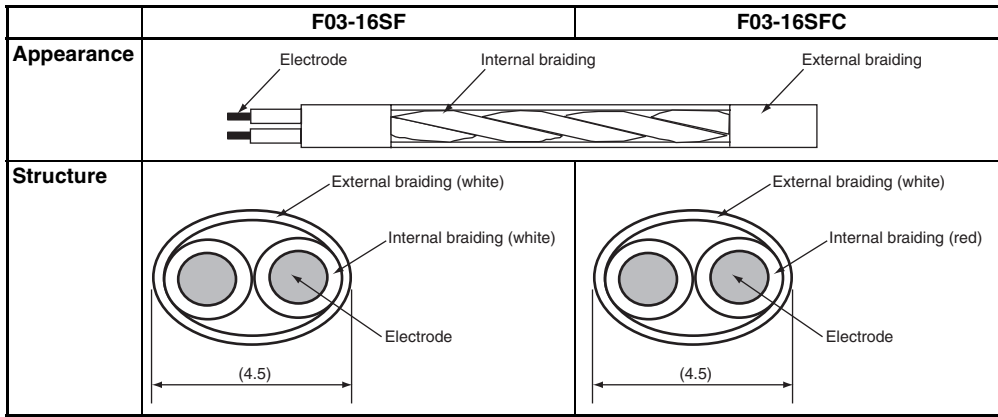


## Ordering Information

Name	Model	Length	Name	Model	Length
Liquid Leakage Sensing Band (without color indication)	F03-16SF-5M	5 m	Liquid Leakage Sensing Band (with color indication)	F03-16SFC-5M	5 m
	F03-16SF-10M	10 m		F03-16SFC-10M	10 m
	F03-16SF-15M	15 m		F03-16SFC-15M	15 m
	F03-16SF-20M	20 m		F03-16SFC-20M	20 m
	F03-16SF-30M	30 m		F03-16SFC-30M	30 m
	F03-16SF-40M	40 m		F03-16SFC-40M	40 m
	F03-16SF-50M	50 m		F03-16SFC-50M	50 m
	F03-16SF-60M	60 m		F03-16SFC-60M	60 m
	F03-16SF-70M	70 m		F03-16SFC-70M	70 m
	F03-16SF-80M	80 m		F03-16SFC-80M	80 m
	F03-16SF-90M	90 m		F03-16SFC-90M	90 m
	F03-16SF-100M	100 m		F03-16SFC-100M	100 m

## Specifications

<b>Sheath</b>	Special plastic fiber braided cable with water-absorbent and water-repellent characteristics
<b>Core</b>	Tin-plated, copper-stranded wire
<b>Ambient operating temperature</b>	-15 to 60°C
<b>Fire retardancy</b>	Not fire retardant
<b>Weight</b>	Approximately 20 g (1 m)



## Liquid Leakage Sensor Amplifier

Stable Detection of Liquid Leakage. Three Models Are Available

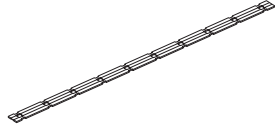


Item		K7L-AT50/-AT50D (See note 1.)	61F-GPN-V50 (See note 2.)	61F-WLA (See note 2.)
Output form	Relay	No	Yes	No
	Relay and buzzer	No	No	Yes
	Transistor	Yes	No	No
Operation resistance		0 to 50 MΩ	0 to 50 kΩ	0 to 50 kΩ
Disconnection detection function		Yes	No	No
Noise canceller function		Yes	No	No
IV Cable		10 m max.	100 m max.	
F03-16SF/-SFC		10 m max.	100 m max.	
Dimensions		28.8 × 12.8 × 46.0	49.4 × 38.0 × 70	140 × 118 × 50
Mounting method		Socket	Socket	Screw mounting
External appearance				

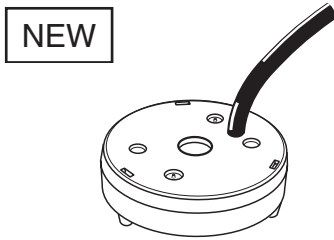
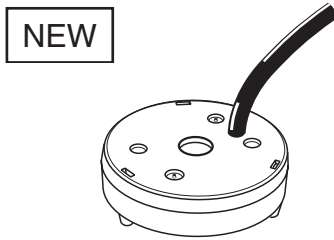
Note: 1. For details, refer to *Liquid Leakage Amplifier K7L-AT50* (Cat. No. F049).

2. For details, refer to *Floatless Level Controller* (Cat. No. F030).

Select the Optimum Sensor for the Applications from a Range of Industry-leading Products  
(See Note.)

Note: Results of OMRON survey.

<b>Feature</b>	Standard model	Higher resistance to force and condensation than the standard model	Higher resistance to temperature and chemicals than the standard model
<b>Model</b>	F03-16PE	F03-15	F03-16PT
<b>Material of current-carrying parts</b>	SUS316	SUS304	SUS316
<b>Material of insulated parts</b>	Polyethylene	PVC	Fluoroplastic
<b>Ambient operating temperature</b>	-10 to 55°C	-10 to 55°C	-50 to 200°C
<b>External appearance</b>			

<b>Feature</b>	Point Sensor that wipes clean easily. Stud screw mounting requires no tools for installation.	Wipes clean easily and fluoroplastic coating on the electrode ensures chemical resistance.
<b>Model</b>	F03-16PS	F03-16PS-F
<b>Material of current-carrying parts</b>	SUS304	SUS304+ fluoroplastic coating
<b>Material of insulated parts</b>	Polyethylene	Polyethylene
<b>Ambient operating temperature</b>	-10 to 60°C	-10 to 60°C
<b>External appearance</b>		

**ALL DIMENSIONS SHOWN ARE IN MILLIMETERS.**  
To convert millimeters into inches, multiply by 0.03937. To convert grams into ounces, multiply by 0.03527.

## Read and Understand This Catalog

Please read and understand this catalog before purchasing the products. Please consult your OMRON representative if you have any questions or comments.

## Warranty and Limitations of Liability

### WARRANTY

OMRON's exclusive warranty is that the products are free from defects in materials and workmanship for a period of one year (or other period if specified) from date of sale by OMRON.

OMRON MAKES NO WARRANTY OR REPRESENTATION, EXPRESS OR IMPLIED, REGARDING NON-INFRINGEMENT, MERCHANTABILITY, OR FITNESS FOR PARTICULAR PURPOSE OF THE PRODUCTS. ANY BUYER OR USER ACKNOWLEDGES THAT THE BUYER OR USER ALONE HAS DETERMINED THAT THE PRODUCTS WILL SUITABLY MEET THE REQUIREMENTS OF THEIR INTENDED USE. OMRON DISCLAIMS ALL OTHER WARRANTIES, EXPRESS OR IMPLIED.

### LIMITATIONS OF LIABILITY

OMRON SHALL NOT BE RESPONSIBLE FOR SPECIAL, INDIRECT, OR CONSEQUENTIAL DAMAGES, LOSS OF PROFITS, OR COMMERCIAL LOSS IN ANY WAY CONNECTED WITH THE PRODUCTS, WHETHER SUCH CLAIM IS BASED ON CONTRACT, WARRANTY, NEGLIGENCE, OR STRICT LIABILITY.

In no event shall responsibility of OMRON for any act exceed the individual price of the product on which liability is asserted.

IN NO EVENT SHALL OMRON BE RESPONSIBLE FOR WARRANTY, REPAIR, OR OTHER CLAIMS REGARDING THE PRODUCTS UNLESS OMRON'S ANALYSIS CONFIRMS THAT THE PRODUCTS WERE PROPERLY HANDLED, STORED, INSTALLED, AND MAINTAINED AND NOT SUBJECT TO CONTAMINATION, ABUSE, MISUSE, OR INAPPROPRIATE MODIFICATION OR REPAIR.

## Application Considerations

### SUITABILITY FOR USE

OMRON shall not be responsible for conformity with any standards, codes, or regulations that apply to the combination of products in the customer's application or use of the product.

At the customer's request, OMRON will provide applicable third party certification documents identifying ratings and limitations of use that apply to the products. This information by itself is not sufficient for a complete determination of the suitability of the products in combination with the end product, machine, system, or other application or use.

The following are some examples of applications for which particular attention must be given. This is not intended to be an exhaustive list of all possible uses of the products, nor is it intended to imply that the uses listed may be suitable for the products:

- Outdoor use, uses involving potential chemical contamination or electrical interference, or conditions or uses not described in this catalog.
- Nuclear energy control systems, combustion systems, railroad systems, aviation systems, medical equipment, amusement machines, vehicles, safety equipment, and installations subject to separate industry or government regulations.
- Systems, machines, and equipment that could present a risk to life or property.

Please know and observe all prohibitions of use applicable to the products.

NEVER USE THE PRODUCTS FOR AN APPLICATION INVOLVING SERIOUS RISK TO LIFE OR PROPERTY WITHOUT ENSURING THAT THE SYSTEM AS A WHOLE HAS BEEN DESIGNED TO ADDRESS THE RISKS, AND THAT THE OMRON PRODUCT IS PROPERLY RATED AND INSTALLED FOR THE INTENDED USE WITHIN THE OVERALL EQUIPMENT OR SYSTEM.

## Disclaimers

### CHANGE IN SPECIFICATIONS

Product specifications and accessories may be changed at any time based on improvements and other reasons.

It is our practice to change model numbers when published ratings or features are changed, or when significant construction changes are made. However, some specifications of the product may be changed without any notice. When in doubt, special model numbers may be assigned to fix or establish key specifications for your application on your request. Please consult with your OMRON representative at any time to confirm actual specifications of purchased product.

### DIMENSIONS AND WEIGHTS

Dimensions and weights are nominal and are not to be used for manufacturing purposes, even when tolerances are shown.

### ERRORS AND OMISSIONS

The information in this catalog has been carefully checked and is believed to be accurate; however, no responsibility is assumed for clerical, typographical, or proofreading errors, or omissions.

### PERFORMANCE DATA

Performance data given in this catalog is provided as a guide for the user in determining suitability and does not constitute a warranty. It may represent the result of OMRON's test conditions, and the users must correlate it to actual application requirements. Actual performance is subject to the OMRON Warranty and Limitations of Liability.

### PROGRAMMABLE PRODUCTS

OMRON shall not be responsible for the user's programming of a programmable product, or any consequence thereof.

### COPYRIGHT AND COPY PERMISSION

This catalog shall not be copied for sales or promotions without permission.

This catalog is protected by copyright and is intended solely for use in conjunction with the product. Please notify us before copying or reproducing this catalog in any manner, for any other purpose. If copying or transmitting this catalog to another, please copy or transmit it in its entirety.